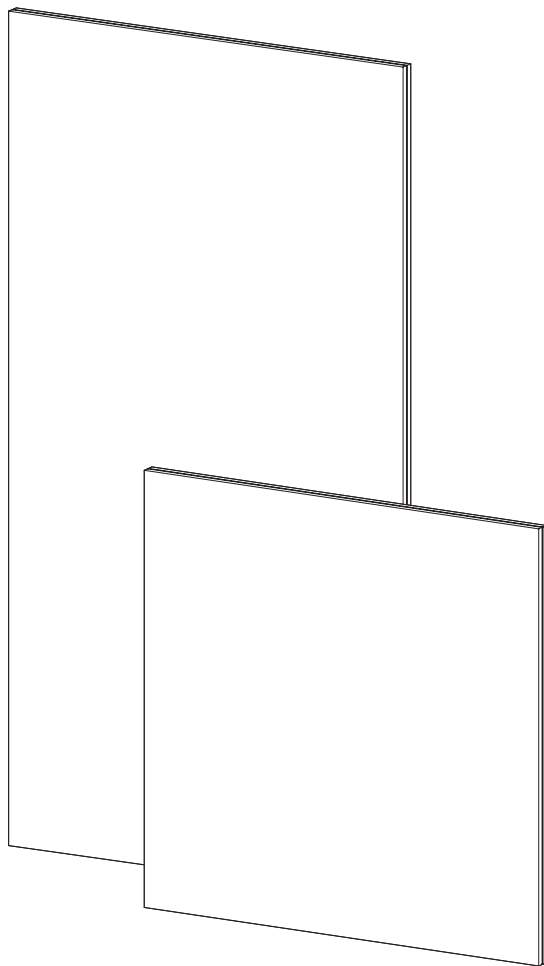


Flat Panel VMT

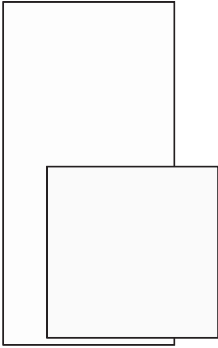
Installation Manual

EN



MATERIAL NEEDED

Included



Flat Panel VMT

Not Included



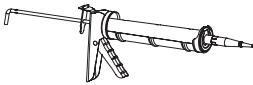
Level



Measuring Tape



Flexi Glue Ultra



Caulking Gun



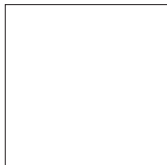
Box Cutter

Available formats

1190x595mm

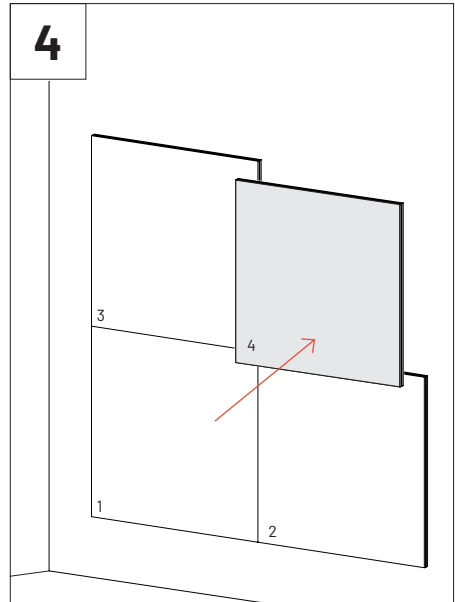
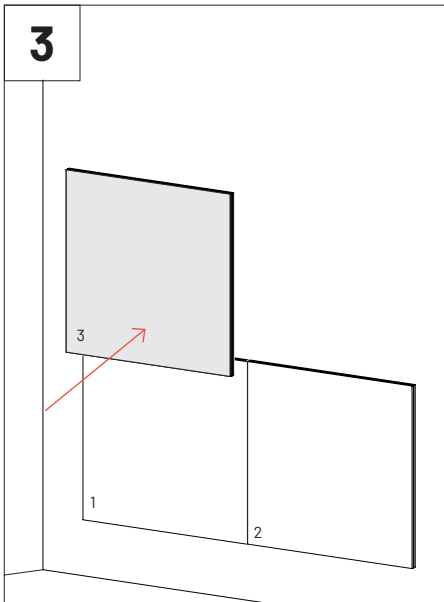
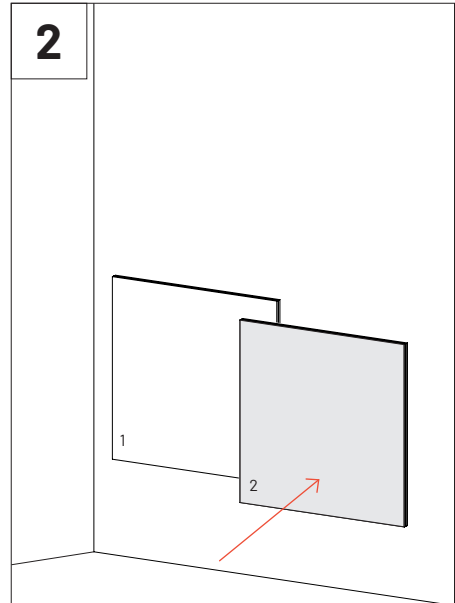
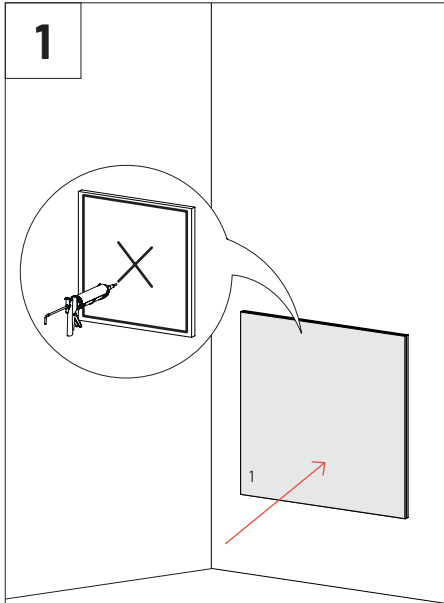


595x595mm



Partial wall installation

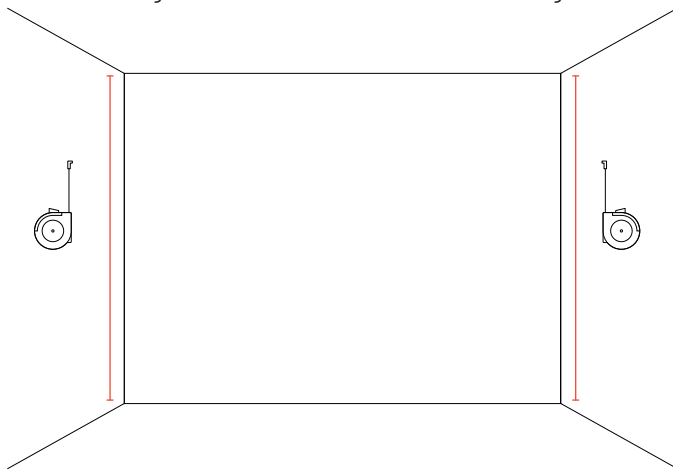
Apply the glue on the back of the acoustic panel, near the edges and in the central area. Do not wait longer than 10 minutes after applying the glue to attach the panel to the wall.



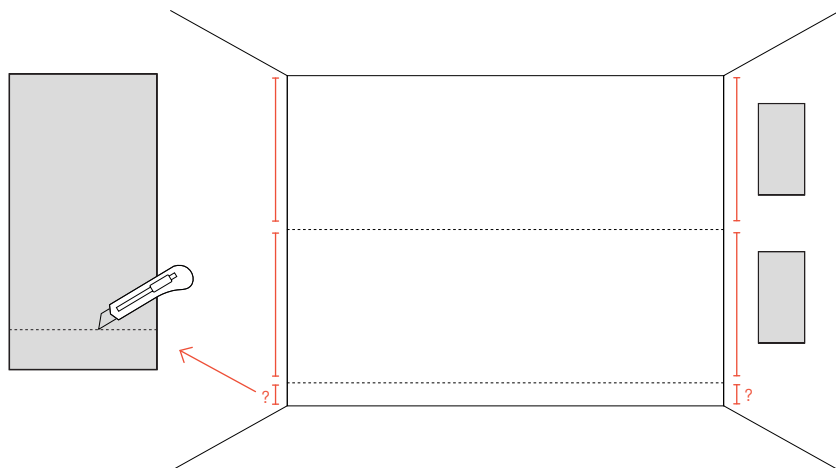
Full wall installation

1

Measure wall height in both sides. Take the smallest height.

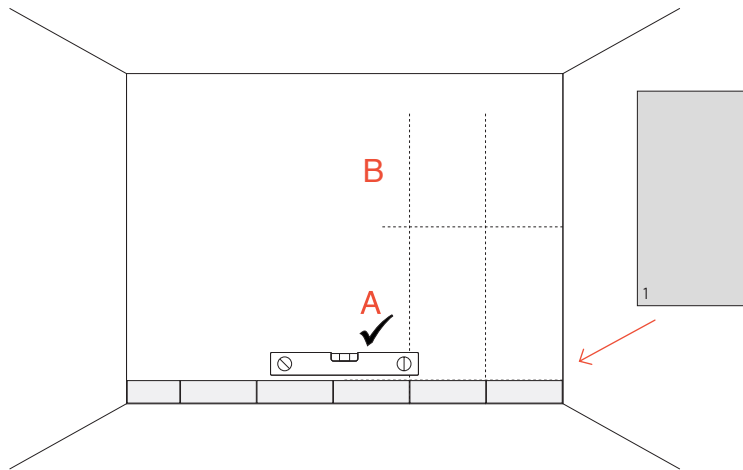
**2**

Based on the smallest height, calculate if it is necessary to cut one of the panels to fill the entire wall height. Check for continuity between panels before cutting.



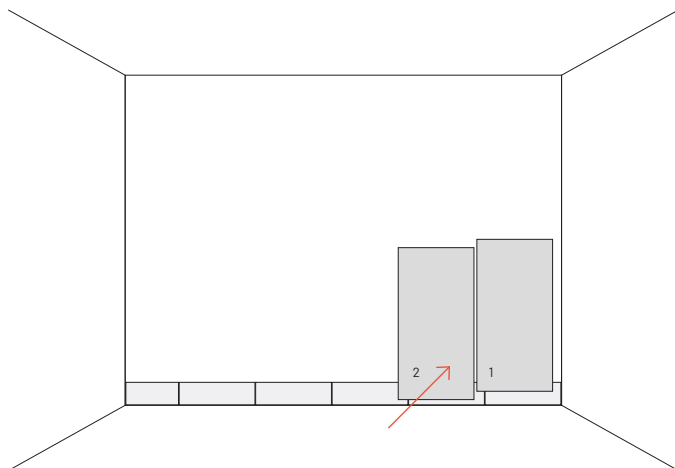
3

Start the installation from the bottom-right side (If cuted panels are going to be used it is recommended to start with these). Check if panels are leveled before proceeding to next row.



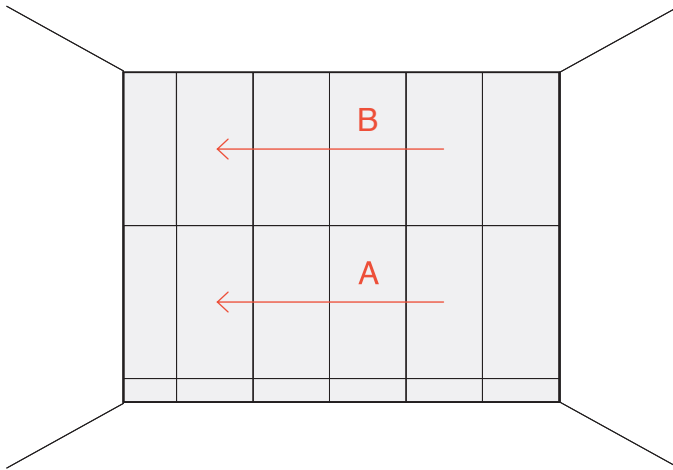
4

Install the remaining panels.



5

VMT boards can be installed vertically or horizontally, depending on the pattern and desired orientation.



!

Do not apply Flat Panel VMT behind radiators or too close to a heat source.

Main Office, R&D & Logistics
Avenida do Pólo 3, N.º 159, Carvalhosa
4590-137 Paços de Ferreira, Portugal

Office
Rua Quinta do Bom Retiro N.º 16, Armazém 9
2820-690 Charneca da Caparica, Portugal
T (+351) 212 964 100

Info and Sales
E sales@vicoustic.com

www.vicoustic.com



© Vicoustic, 2024 | V9

No parts of this document might be copied and/or published without written consent of Vicoustic.