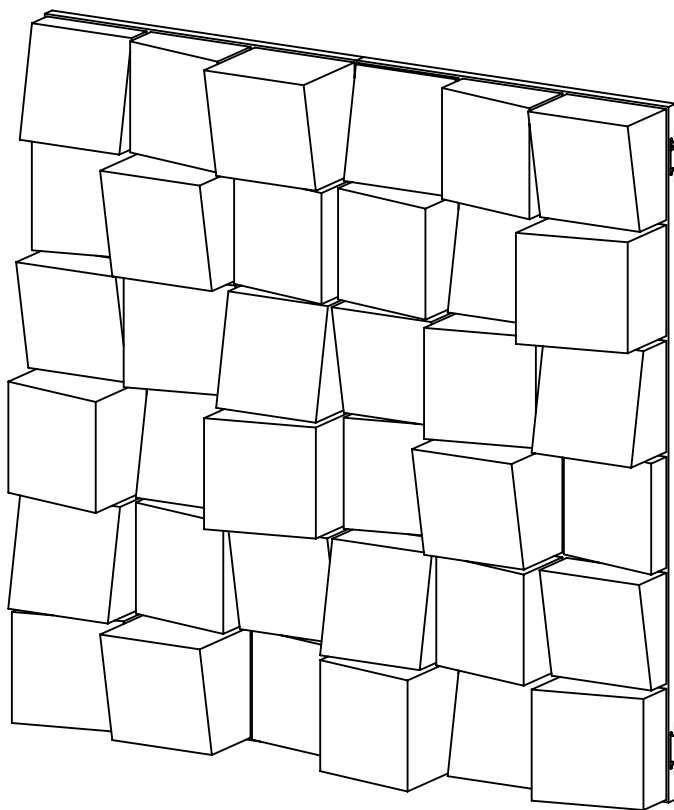


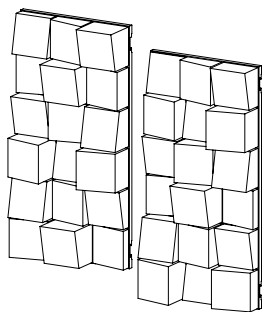
Multifuser Wood 36 MK II

Installation Manual



✓ MATERIAL NEEDED

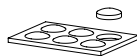
Included



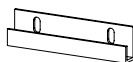
Multifuser 36



Gauge x1



Silicone Drop x4



VicFix J Profile 80mm | 3.14" x4

Not Included



Level

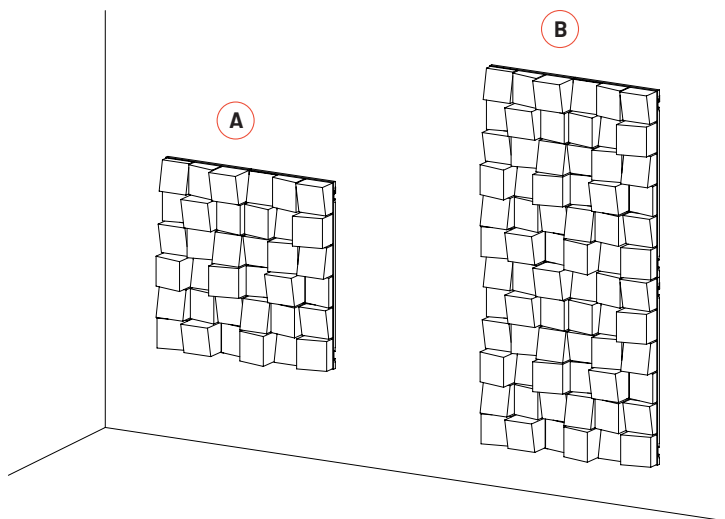


Drill

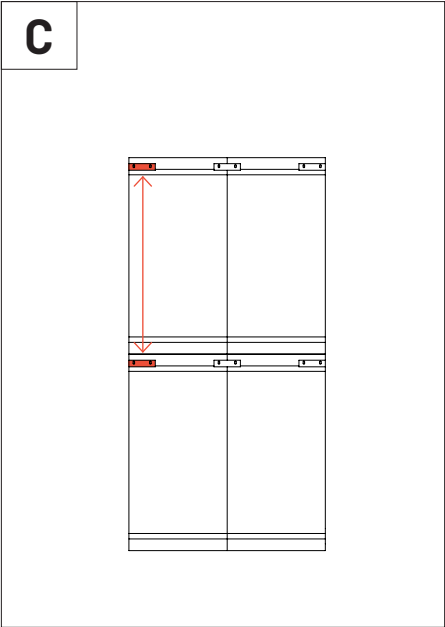
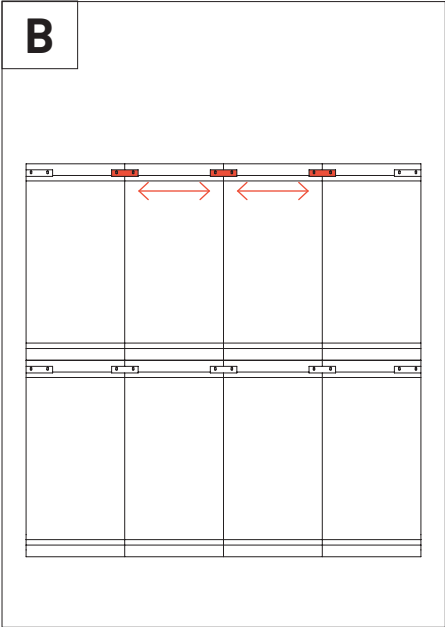
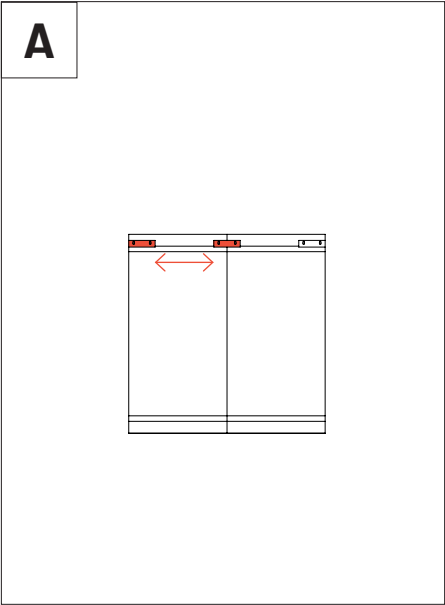
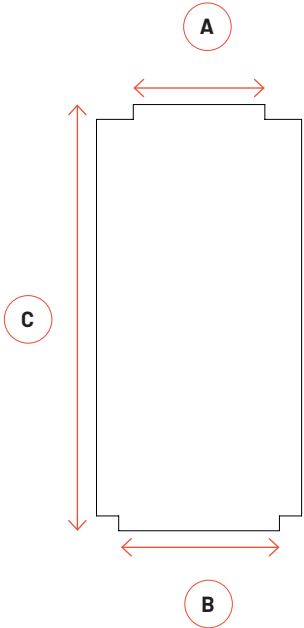


Wall Plugs and Screws x8

Wall Installation

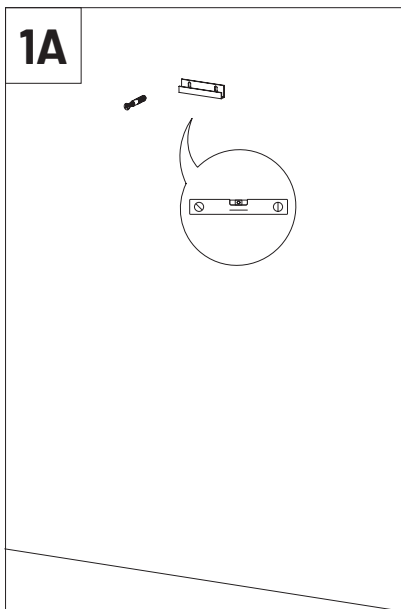
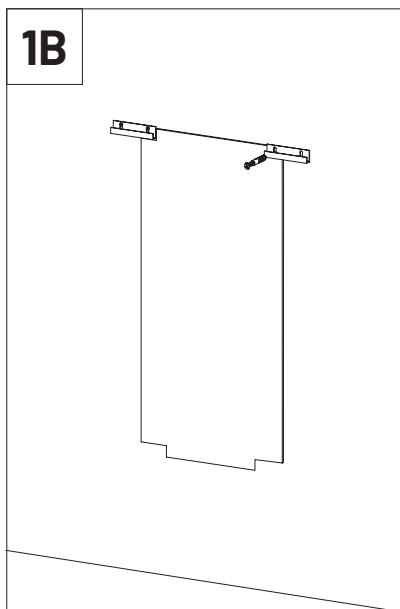


Ways of using the gauge



1

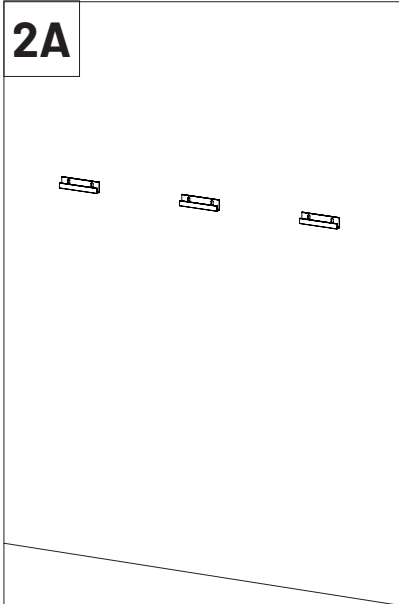
Step by step wall installation.

1A**1B**

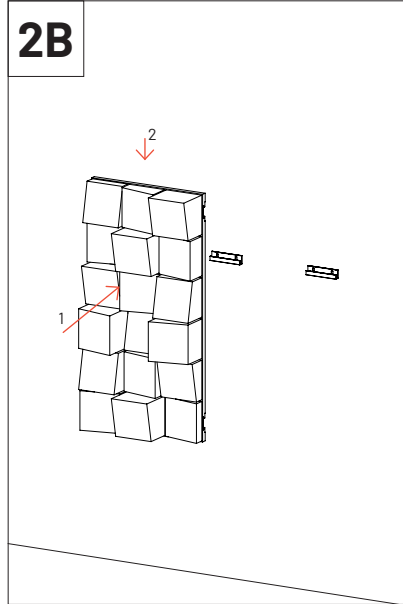
2

Step by step wall installation.

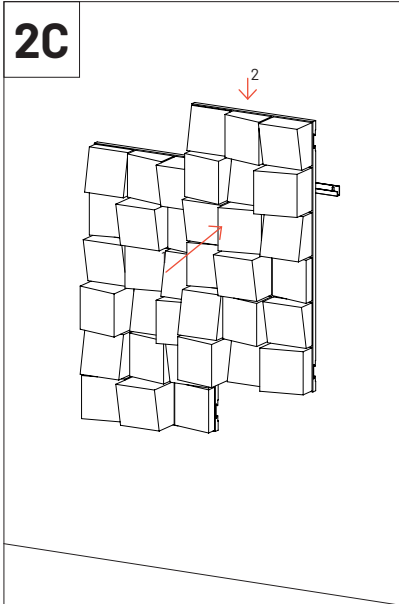
2A



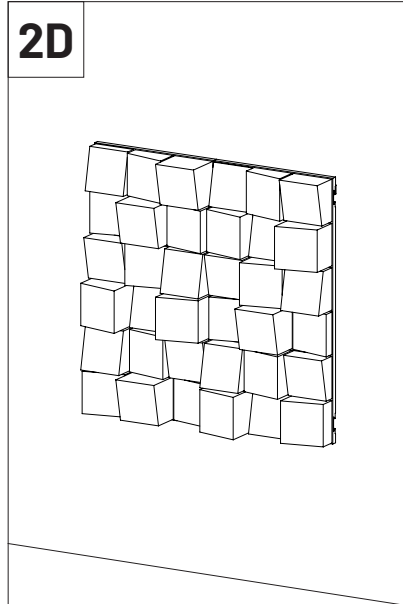
2B



2C

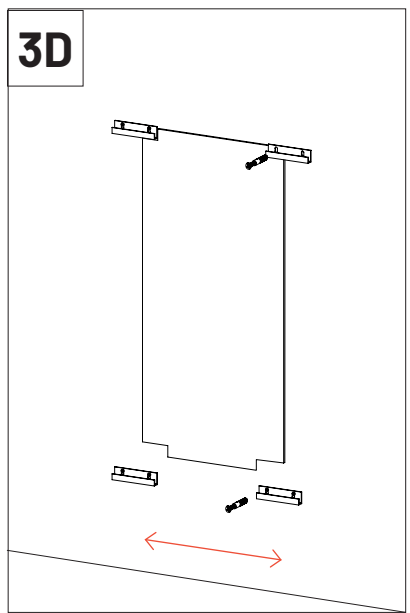
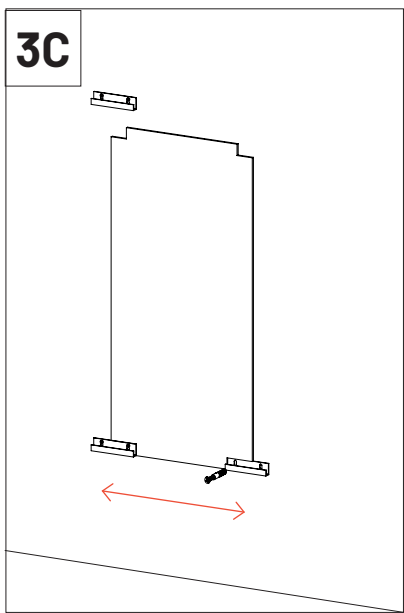
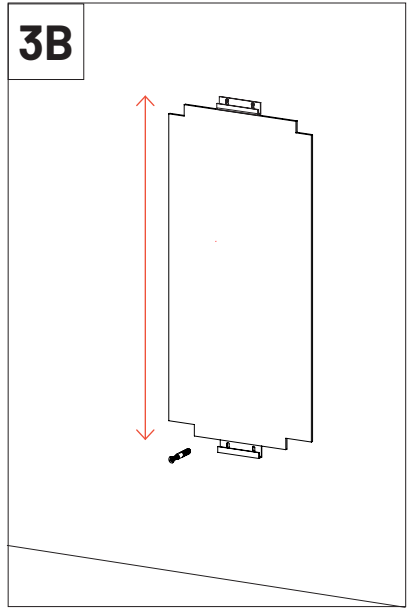
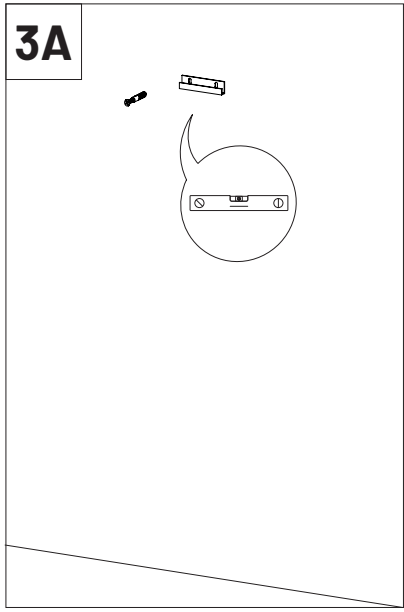


2D

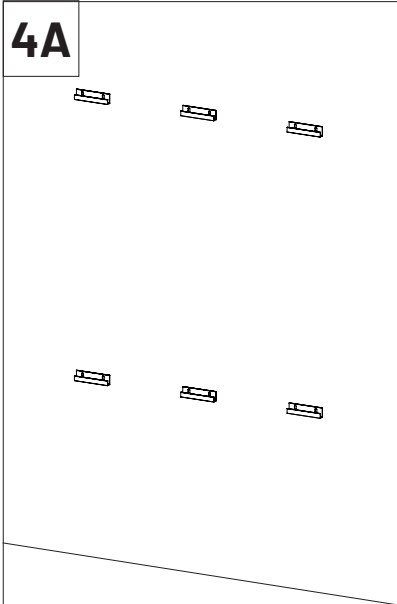


3

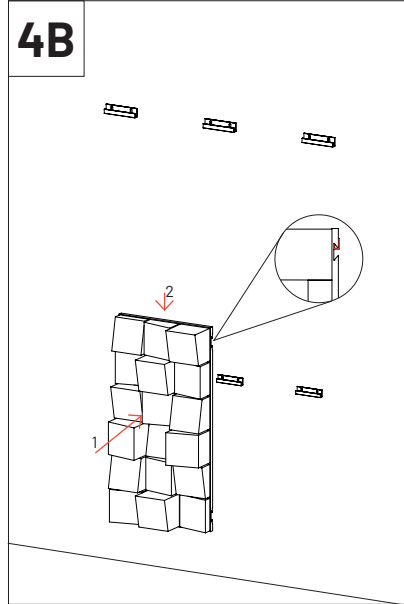
Step by step wall installation for two or more rows of Multifuser Wood.



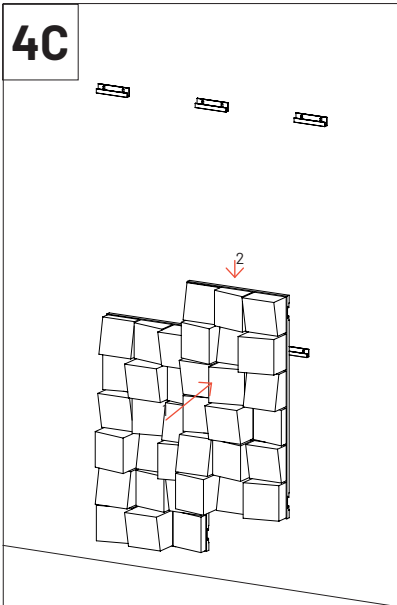
4A



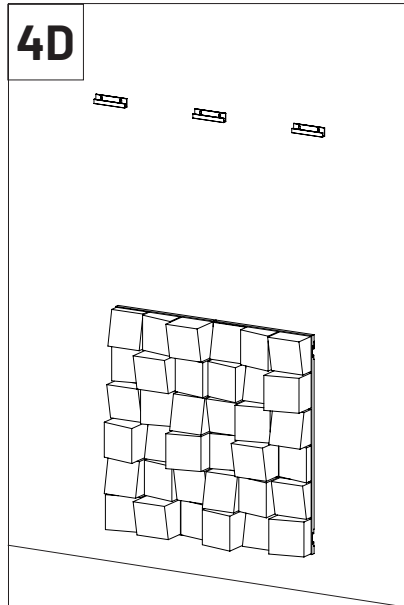
4B

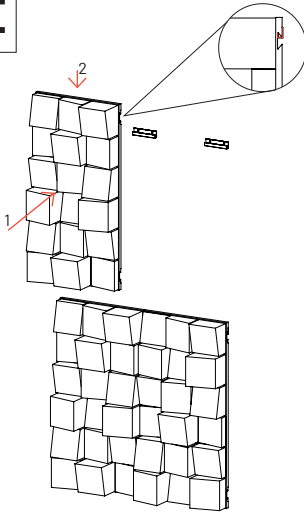
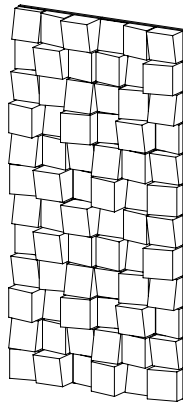
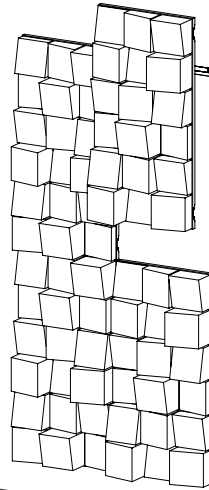


4C



4D



4E**4F****!**

Please note: In countries where earthquakes are likely to happen, it should be applied a blocking element such as a L profile to avoid the last panel to slide off the VicFix J profile. Vicoustic will not take responsibility for any mistakes / limitations occurring during installations or any damages resulting from falling panels.

HQ and Factory
Rua do Polo 3
4590-335 Freamunde, Paços de Ferreira,

Office
Rua Quinta do Bom Retiro No 16, Armazém 9
2820-690 Charneca da Caparica, Portugal
T (+351) 212 964 100

Info and Sales
E sales@vicoustic.com
www.vicoustic.com



© Vicoustic, 2024 | V2

No parts of this document might be copied and/or published without written consent of Vicoustic.