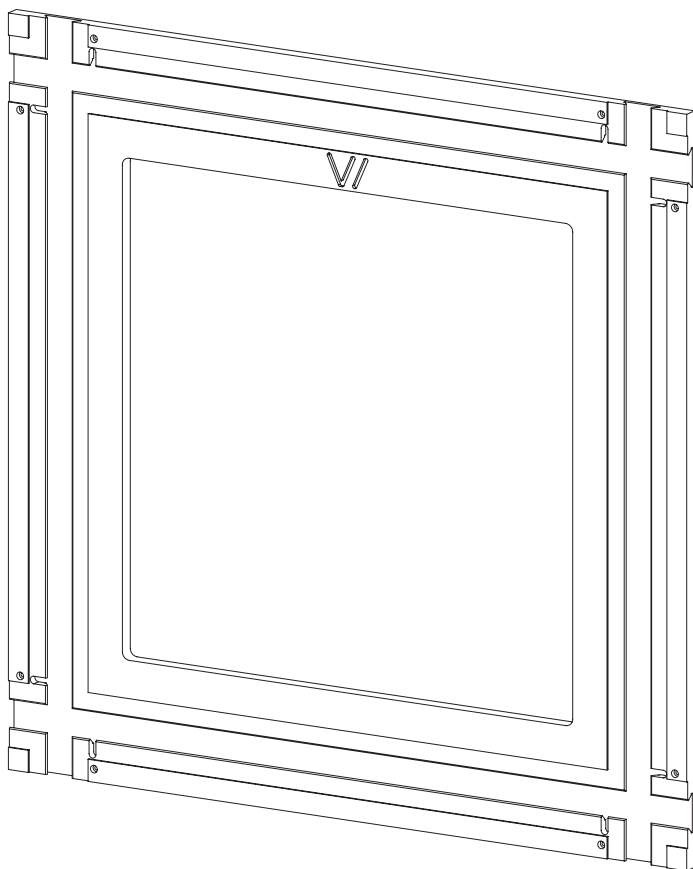


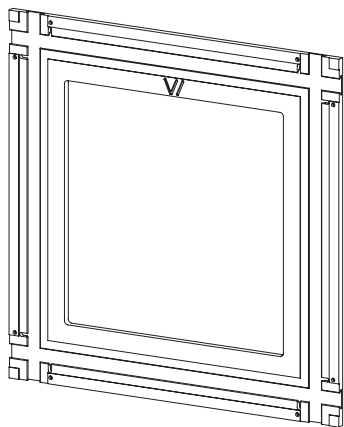
# VicFix Base

Installation Manual



✓ MATERIAL NEEDED

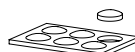
Included



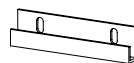
VicFix Base x2



Gauge x1

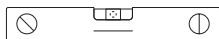


Silicone Drop x4

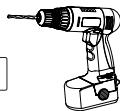


VicFix J Profile x4

Not Included



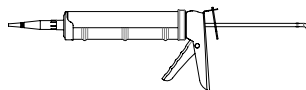
Level



Drill



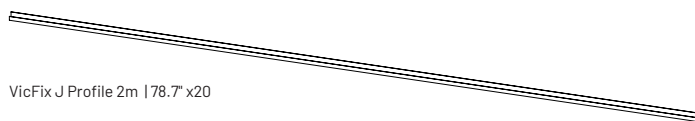
Wall Plugs and Screws x8



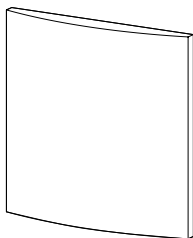
Glue



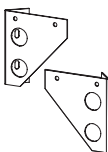
Measuring Tape



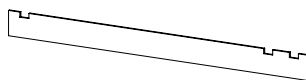
VicFix J Profile 2m | 178.7' x20



Vicoustic Legacy Product



VicFix Corner 4 +4

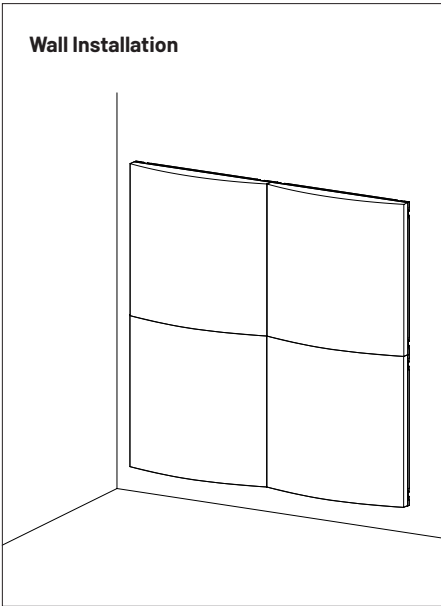


Ceiling Gauge x2

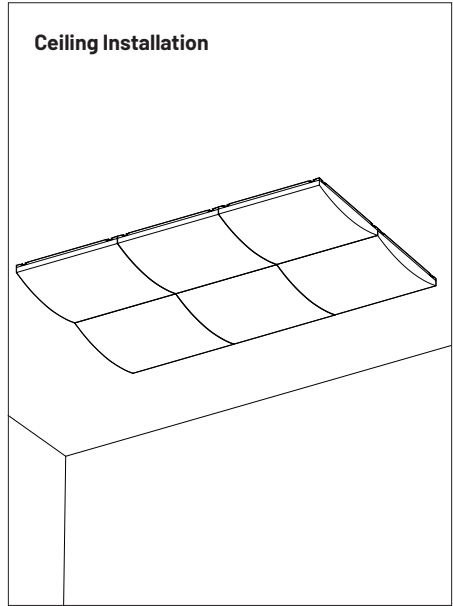
\* This product works with several products from the Legacy line.

This product can also be installed on the ceiling and wall with the VicFix J Profile 2m (sold separately). For corner installation, use the VicFix Corner (sold separately).

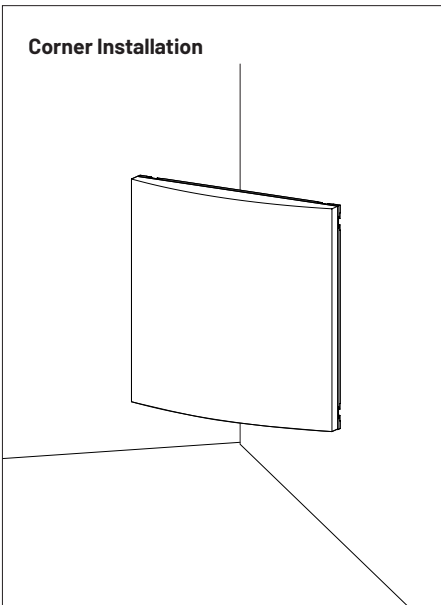
### Wall Installation



### Ceiling Installation



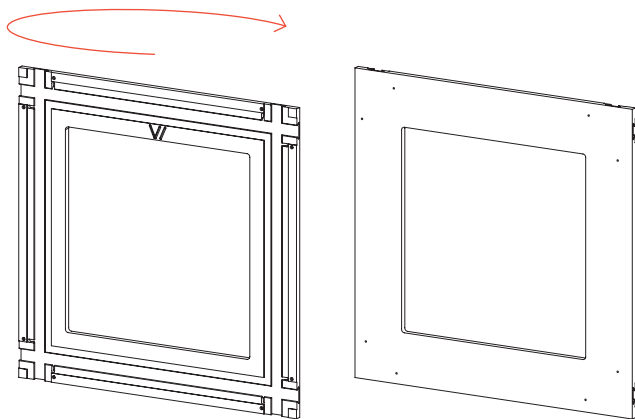
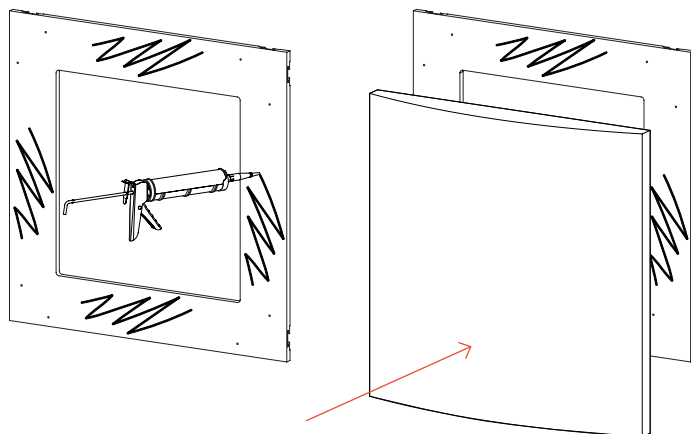
### Corner Installation



**Please note:** For ceiling installation do not use the VicFix J Profile sections supplied with the product. Use the VicFix J Profile 2m, sold separately. It is recommend to leave some centimeters beyond the last panel to avoid it to loose contact with the VicFix J profile. In countries where earthquakes are likely to happen, it should be applied a blocking element such as a L profile to avoid the last panel to slide off the VicFix J profile. Vicoustic will not take responsibility for any mistakes/ limitations occurring during installations or any damages resulting from falling panels.

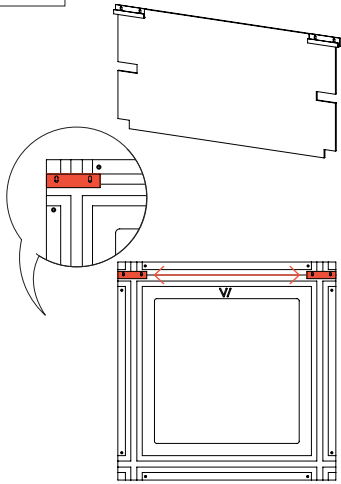
**1**

Apply the glue to the inner surface of the VicFix Base, center the panel you want to glue and press them firmly against each other. You can use pieces of adhesive tape to press the two elements together until the glue is completely dry (about 3 hours).

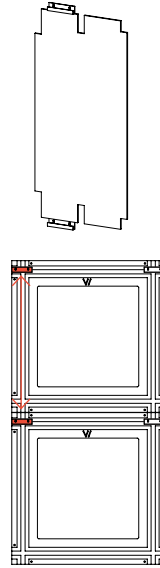
**1A****1B**

## Ways of using the gauge

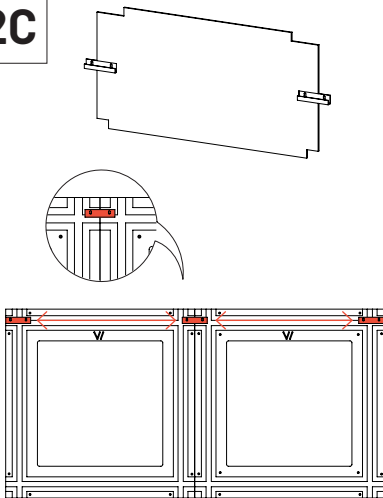
### 2A



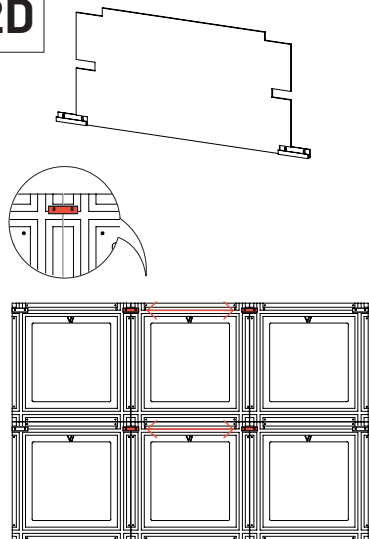
### 2B



### 2C



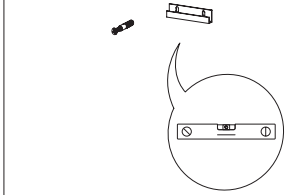
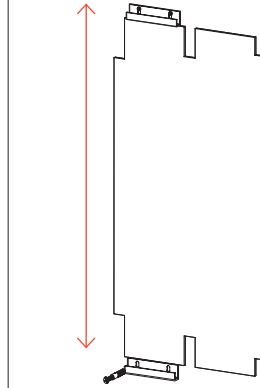
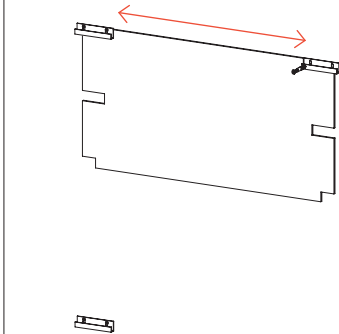
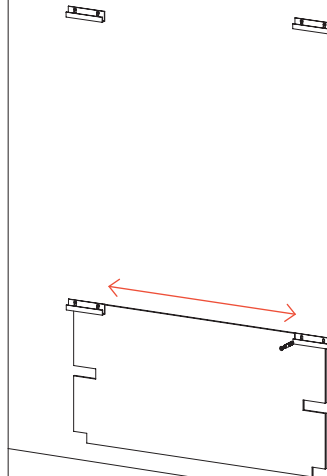
### 2D



**3**

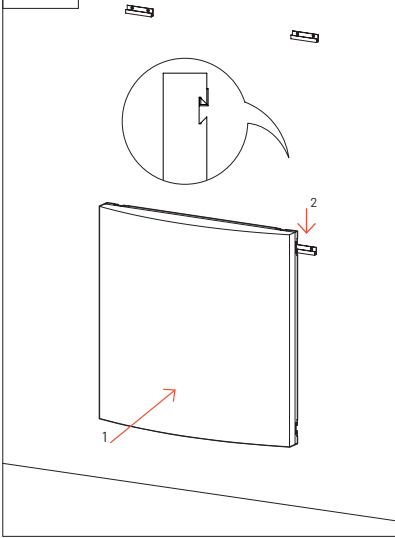
Step by step installation.

If you want to install just one row of panels, do not install the bottom profile

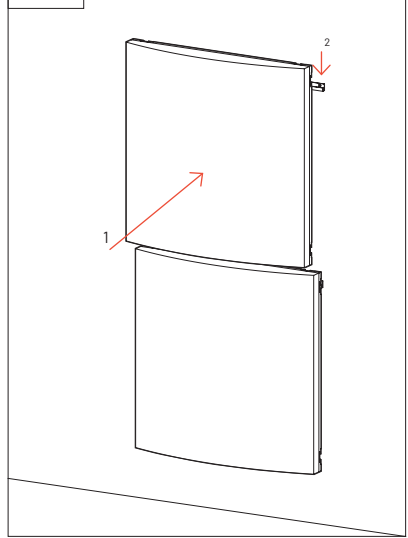
**3A****3B****3C****3D**

4

4A



4B



EN

Main Office, R&D & Logistics  
Avenida do Pólo 3, N.º 159, Carvalhosa  
4590-137 Paços de Ferreira, Portugal

Office  
Rua Quinta do Bom Retiro N.º 16, Armazém 9  
2820-690 Charneca da Caparica, Portugal  
T (+351) 212 964 100

Info and Sales  
E [sales@vicoustic.com](mailto:sales@vicoustic.com)

[www.vicoustic.com](http://www.vicoustic.com)



© Vicoustic, 2024 | V4

No parts of this document might be copied and/or published without written consent of Vicoustic.