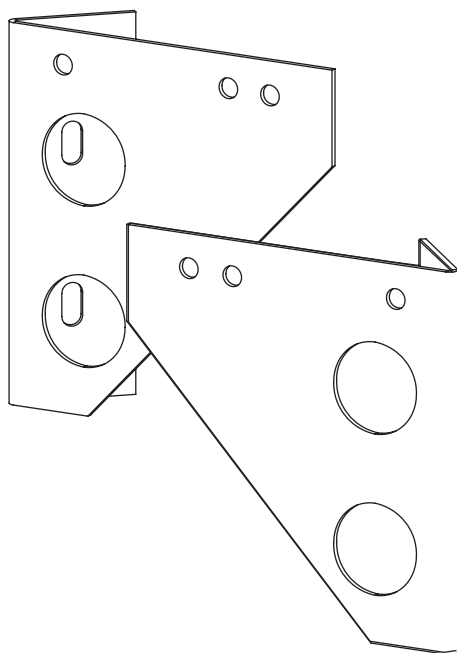


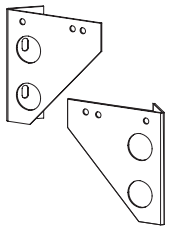
VicFix Corner Plus

Installation Manual



✓ MATERIAL NEEDED

Included



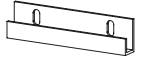
Vic Fix Corner



Screws

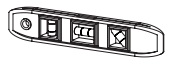


Nut



Vic Fix J Profile

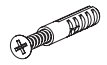
Not Included



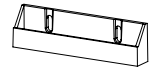
Level



Drill



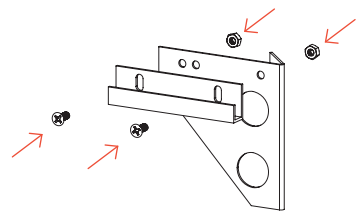
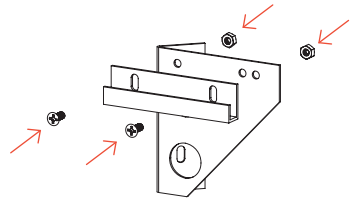
Wall Plugs and Screws



VicFix Mini

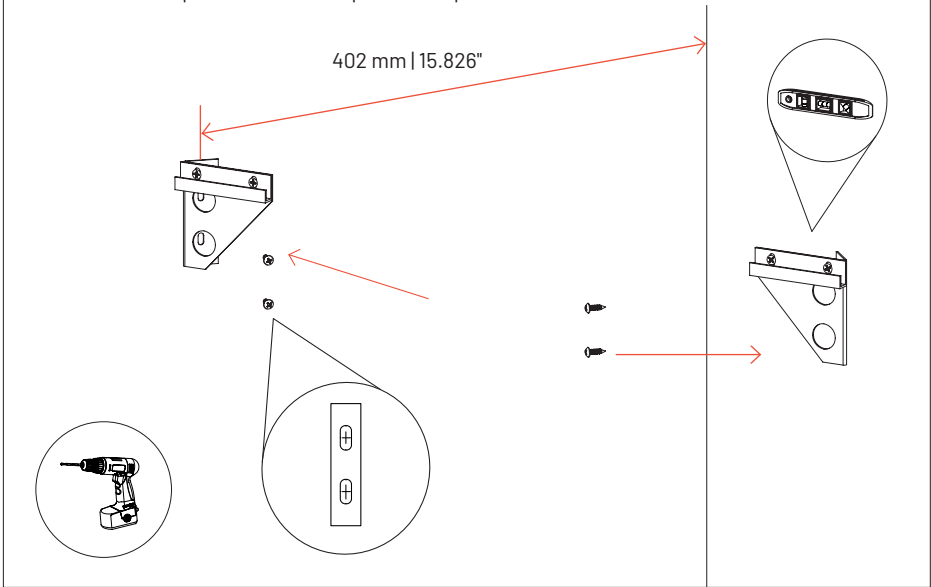
1

Diagrams for installing standard panels and VicFix Base.
For VicSpacer installation, please see the page 4.

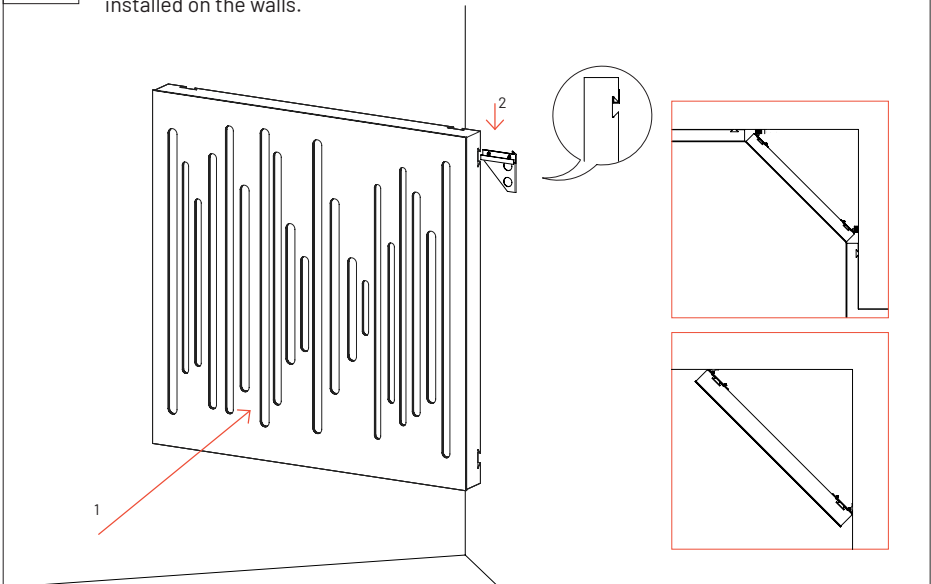


2

Diagram for installing standard panels and VicFix Base.
For VicSpacer installation, please see point 2B.

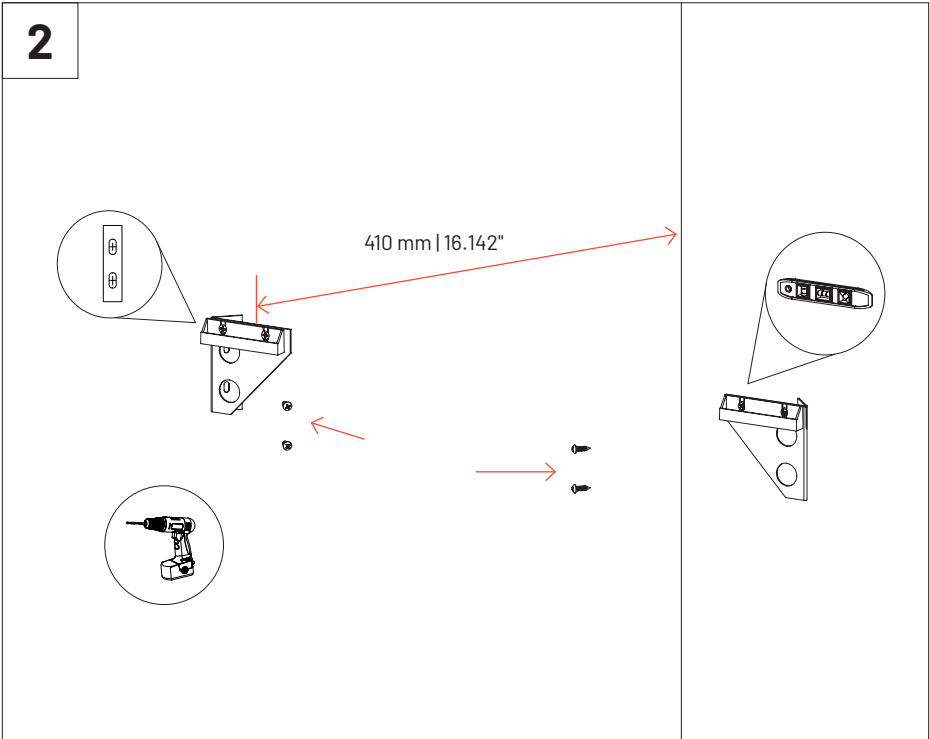
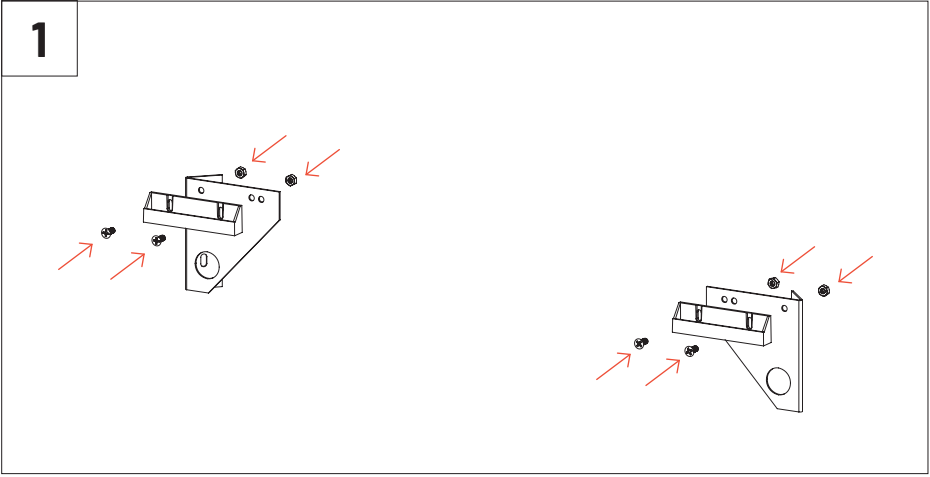
**3**

We recommend you to apply a shim to level the panel with the other products installed on the walls.

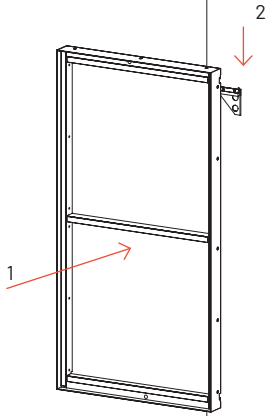


VicSpacer MKII Installation

Using the VicFix Mini supplied with the product



3



EN

Main Office, R&D & Logistics
Avenida do Pólo 3, N.º 159, Carvalhosa
4590-137 Paços de Ferreira, Portugal
T (+351) 255 136 746

Office
Rua Quinta do Bom Retiro N.º 16, Armazém 9
2820-690 Charneca da Caparica, Portugal
T (+351) 212 964 100

Info and Sales
E sales@vicoustic.com
www.vicoustic.com



© Vicoustic, 2025 | V3

No parts of this document might be copied and/or published without written consent of Vicoustic.